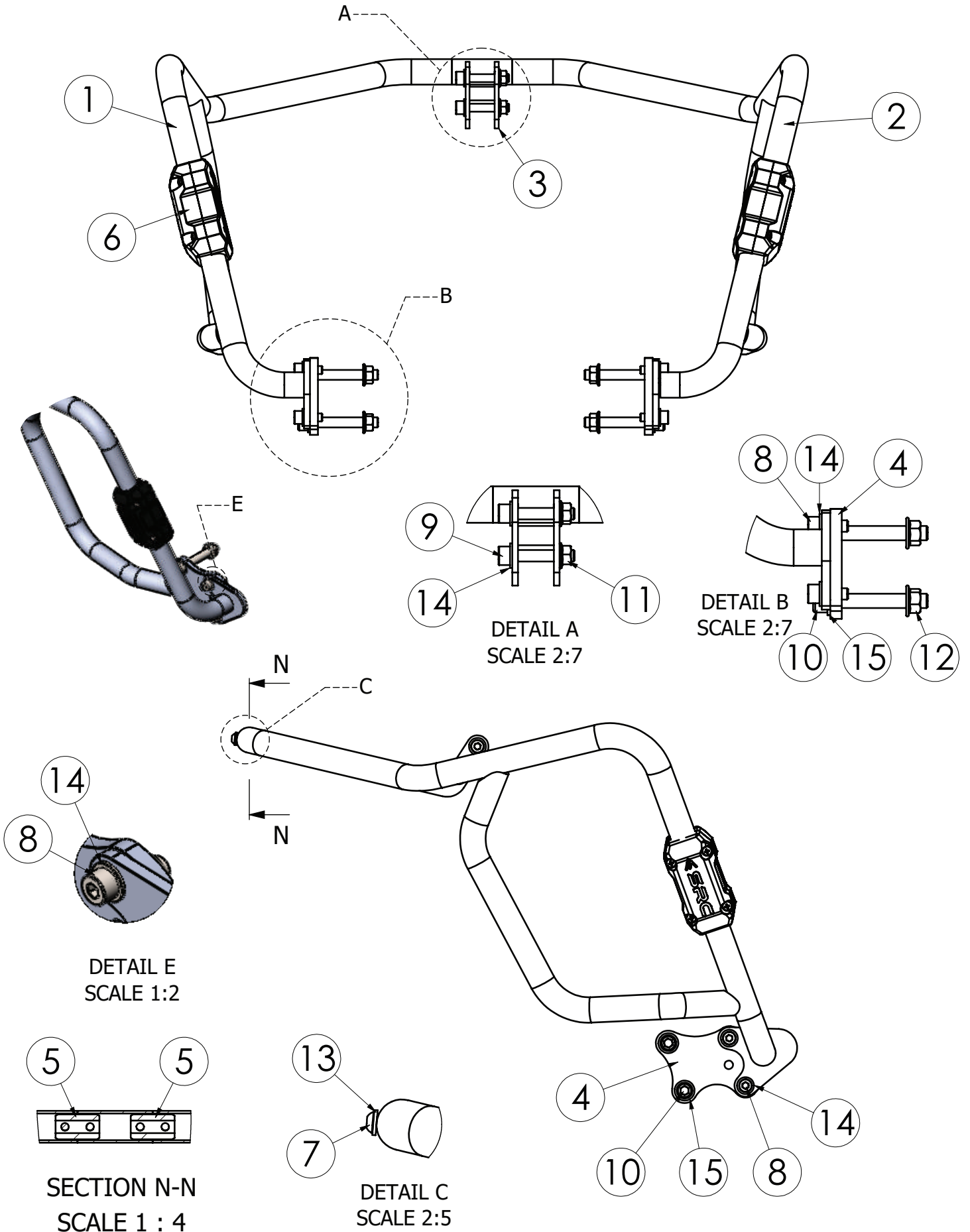


Part Number:

Part Description: CRASH BAR TOP TRANSALP 750

Installation / Parts List / Bill of Material for Mounting

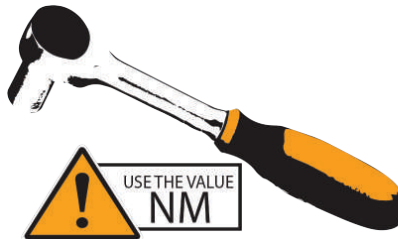
| NO.  | Description                    | Quantity | Torque*(N-M) | Remarks**                |
|--|--------------------------------|----------|--------------|--------------------------|
| 1  | Top crash bar LH               | 1        |              |                          |
| 2  | Top crash bar RH               | 1        |              |                          |
| 3  | Top Bracket                    | 1        |              |                          |
| 4  | Main Plate                     | 2        |              |                          |
| 5  | Pin pipe upper                 | 2        |              |                          |
| 6  | Sliders Guards                 | 2        |              |                          |
| 7  | Socket button head screw M6x15 | 4        |              | Use Liquid Thread Locker |
| 8  | Socket head cap screw M8x20    | 4        |              | Use Liquid Thread Locker |
| 9  | Socket head cap screw M8x45    | 2        |              | Use Liquid Thread Locker |
| 10   | Socket head cap screw M10x75   | 4        |              | Use Liquid Thread Locker |
| 11   | Hex flange nut M8              | 2        |              |                          |
| 12   | Hex flange nut M10             | 4        |              |                          |
| 13   | Washer M6                      | 4        |              |                          |
| 14   | Washer M8                      | 6        |              |                          |
| 15   | Washer M10                     | 4        |              |                          |
| SRC Design uses Metric System of Measurement and all dimensions in Millimeters |                                |          |              |                          |
| Recommended to use the Torque specified in the table                           |                                |          |              |                          |
| Denotes Usage of Liquid Thread Locker in specified Locations                   |                                |          |              |                          |



## Torque Values to be used in Mounting Instructions

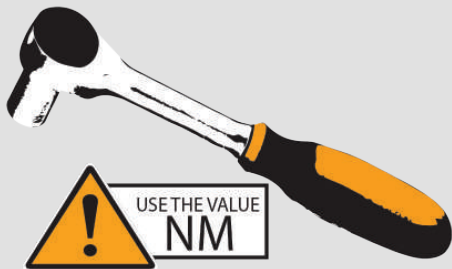


code



|              |             | M4   |       | M5   |       | M6   |        | M8   |        | M10  |        | M12  |        | M14  |        | M16  |        | M18  |         |
|--------------|-------------|------|-------|------|-------|------|--------|------|--------|------|--------|------|--------|------|--------|------|--------|------|---------|
|              | code        | (cs) | (Fo)  | (cs) | (Fo)  | (cs) | (Fo)   | (cs) | (Fo)   | (cs) | (Fo)   | (cs) | (Fo)   | (cs) | (Fo)   | (cs) | (Fo)   | (cs) | (Fo)    |
| <b>Inox</b>  | <b>A2</b>   | 2.6  | —     | 5.1  | —     | 8.7  | —      | 21.2 | —      | 42   | —      | 73   | —      | 118  | —      | 180  | —      | 258  | —       |
| <b>steel</b> | <b>8.8</b>  | 3    | 3,594 | 5    | 5,886 | 10   | 8,302  | 23   | 15,242 | 46   | 24,275 | 79   | 35,401 | 127  | 48,618 | 198  | 66,955 | 283  | 83,746  |
| <b>steel</b> | <b>10.9</b> | 4    | 5,279 | 8.1  | 8,645 | 14   | 12,194 | 34   | 22,388 | 67   | 35,655 | 116  | 51,995 | 187  | 71,408 | 291  | 98,340 | 402  | 119,454 |

**Tensile load (Fo)**  
**The force in newtons (N)** which maintains pressure contact between assembled components  
**Tightening torque (Cs)** [values are in N-m]



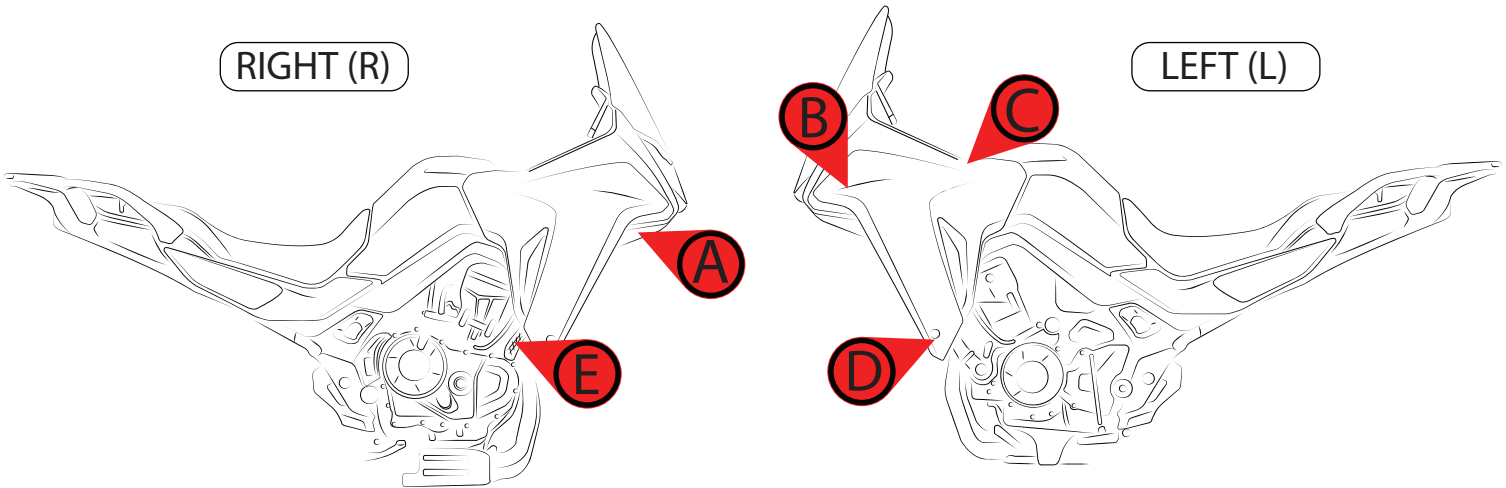
! symbol (NM), refer to the reference value given in the table above for use in the required operation And safe in operation and accuracy in inserting parts.



! The tool in the picture is (thread locked). When you see this mark, please insert the medicine to the point where the nut is to be inserted for the firmness and accuracy of the insertion work.

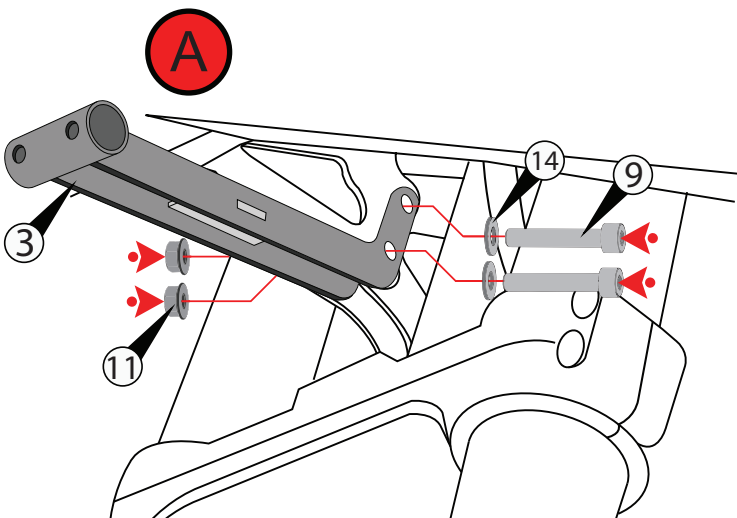
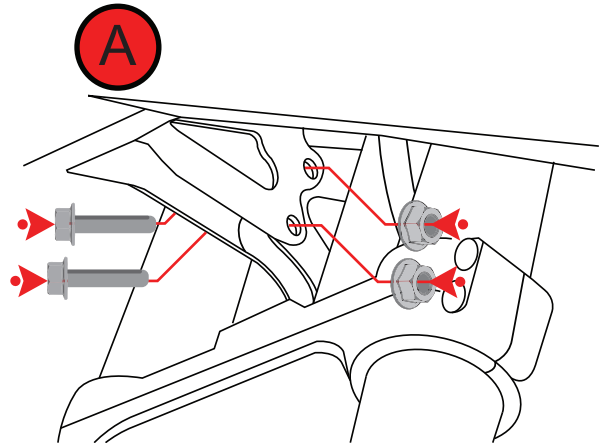
! Please check and check again to make sure that all are inserted. Every piece and don't forget any step to be safe.





1

Remove the screws,  
, according to the illustration

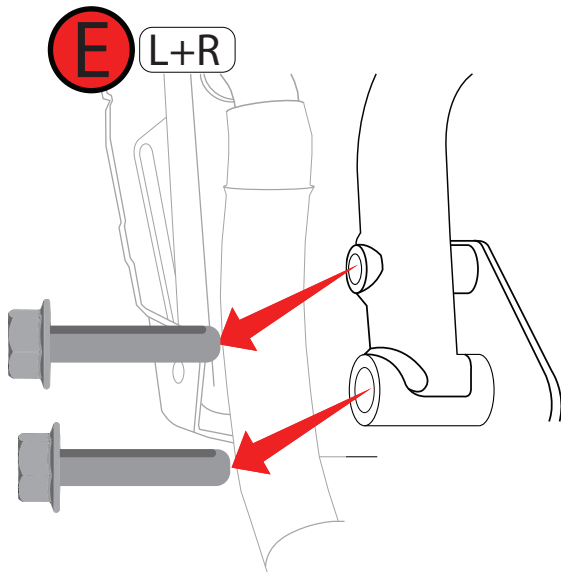
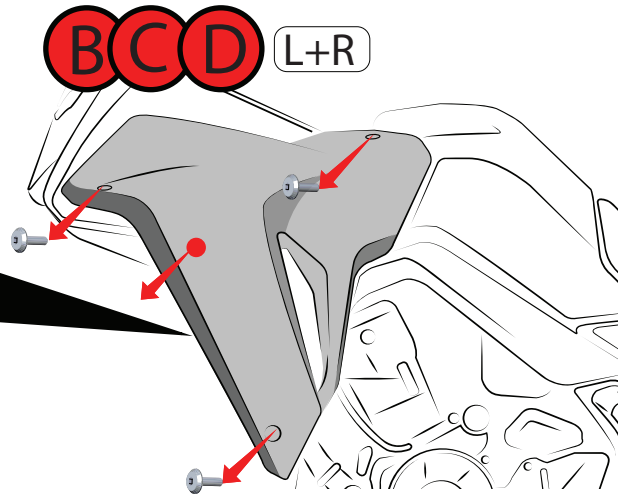
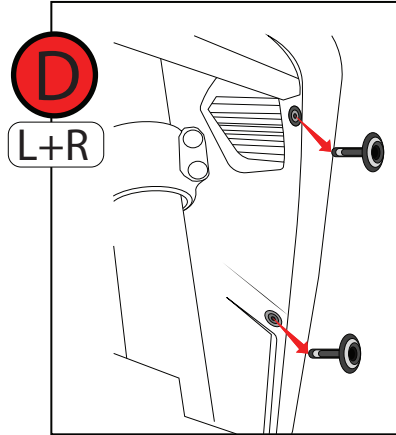


2

Insert Top Bracket  
as illustrated.

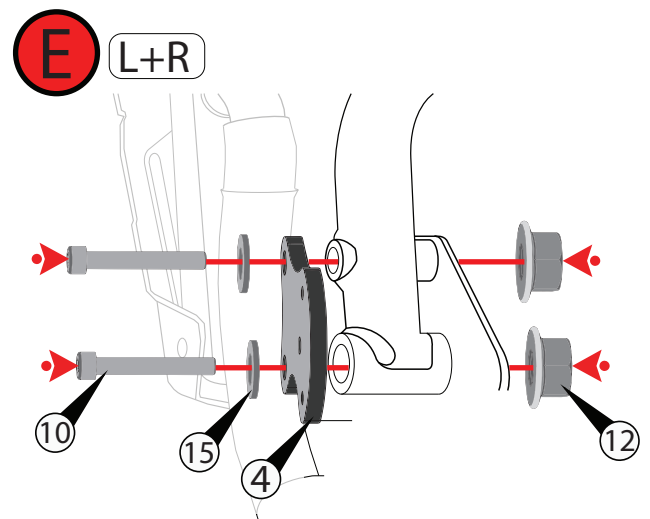
3

Remove the screws and Fairing , according to the illustration



4

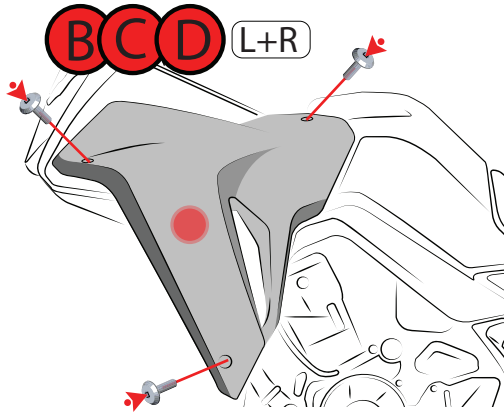
Remove the screws , according to the illustration



5

Prepare the parts and assemble according to the illustration.

## Installation steps

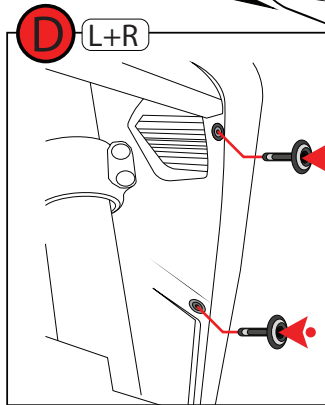
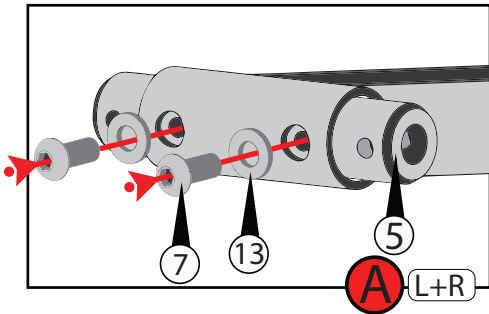


6

Insert the original screws and Fairing according to the illustration

7

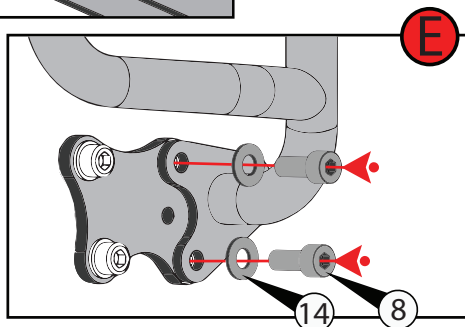
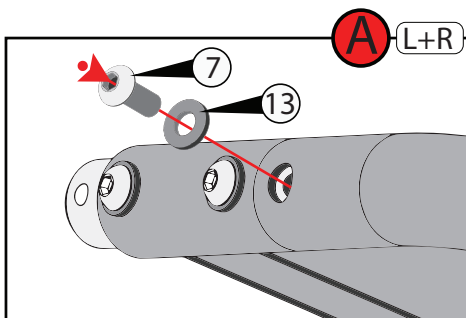
Prepare the parts and assemble according to the illustration.



L+R

8

Prepare the parts and assemble according to the illustration.

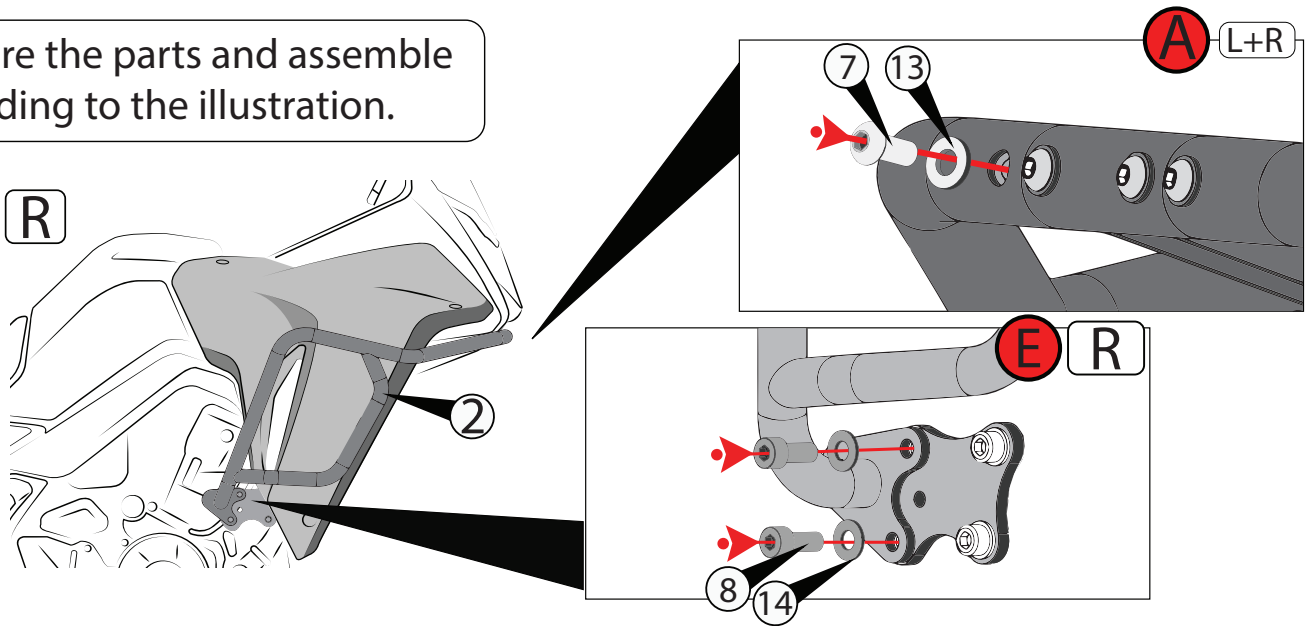


L

1

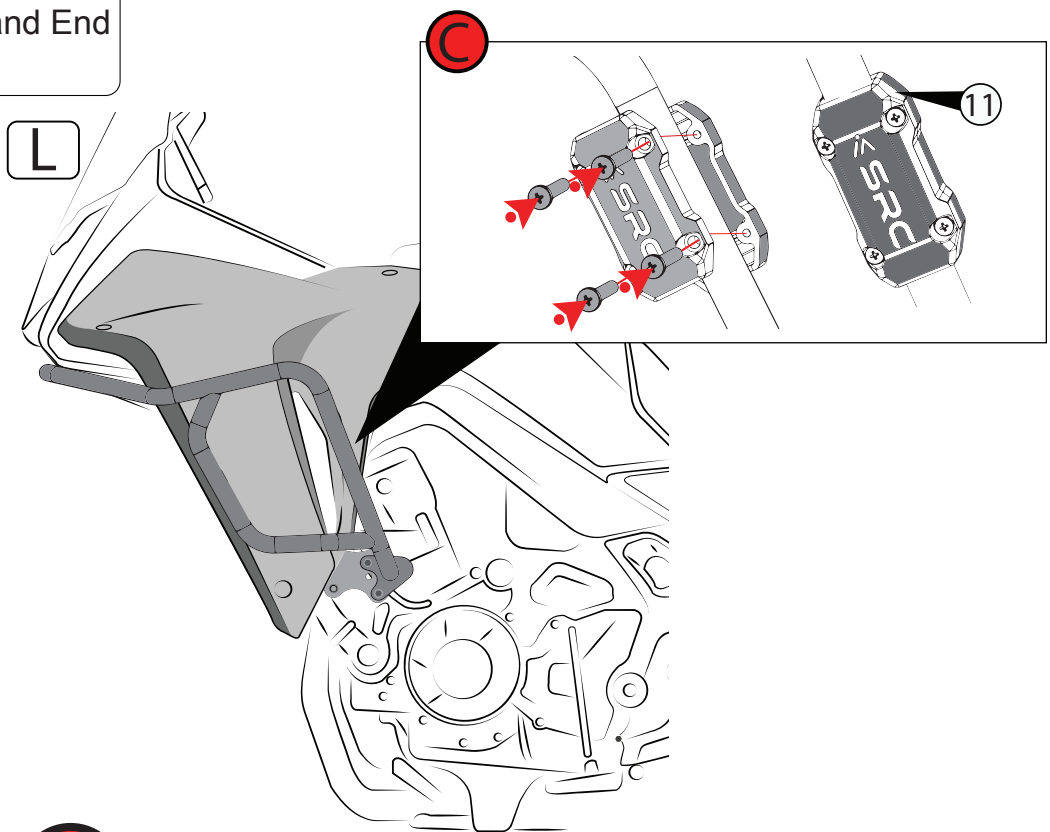
9

Prepare the parts and assemble according to the illustration.



10

Insert Sliders Guards and End cap as illustrated.



Make sure they are inserted correctly.

- (1.) We request you to pay attention to the Mounting Instructions in this document and follow the step-by-step procedures.
- (2.) This Mounting Instruction manual is a “Do It Yourself” (DIY) fitment manual of the Accessory part to the Vehicle. We have prepared this based on our experience and knowledge, related to the Vehicle, Part and its functional aspects
- (3.) SRC cannot guarantee the interchangeability of the parts to any other manufacturer’s accessory part. It is advised to the User, to inspect and ensure the original state of all other Vehicle parts.
- (4.) We request you to bear in mind, that the Installed part can change the driving behaviour and/or the stability during driving or any other dynamic conditions.
- (5.) If you have the appropriate tools and another person to assist you in the mounting, it will help.
- (6.) After Completion of the Mounting and before taking on a First ride, Ensure and Check all functions of the Vehicle. It is always advised to check loosening of the fasteners after the first 50 kilo meters of ride and at regular intervals.
- (7.) To the maximum extent possible, our design use the current Mounting/Fitment of the Original Equipment, so that Installation of these accessories will not affect the Payload or Function of the Vehicle or the Part on which it is mounted to protect it.
- (8.) If any additional modifications are to be done, prior to the fitment of the accessories, it will be explicitly specified in the instruction sheets

