

Part Number:

Part Description: HEAD LIGHT GUARD NX500

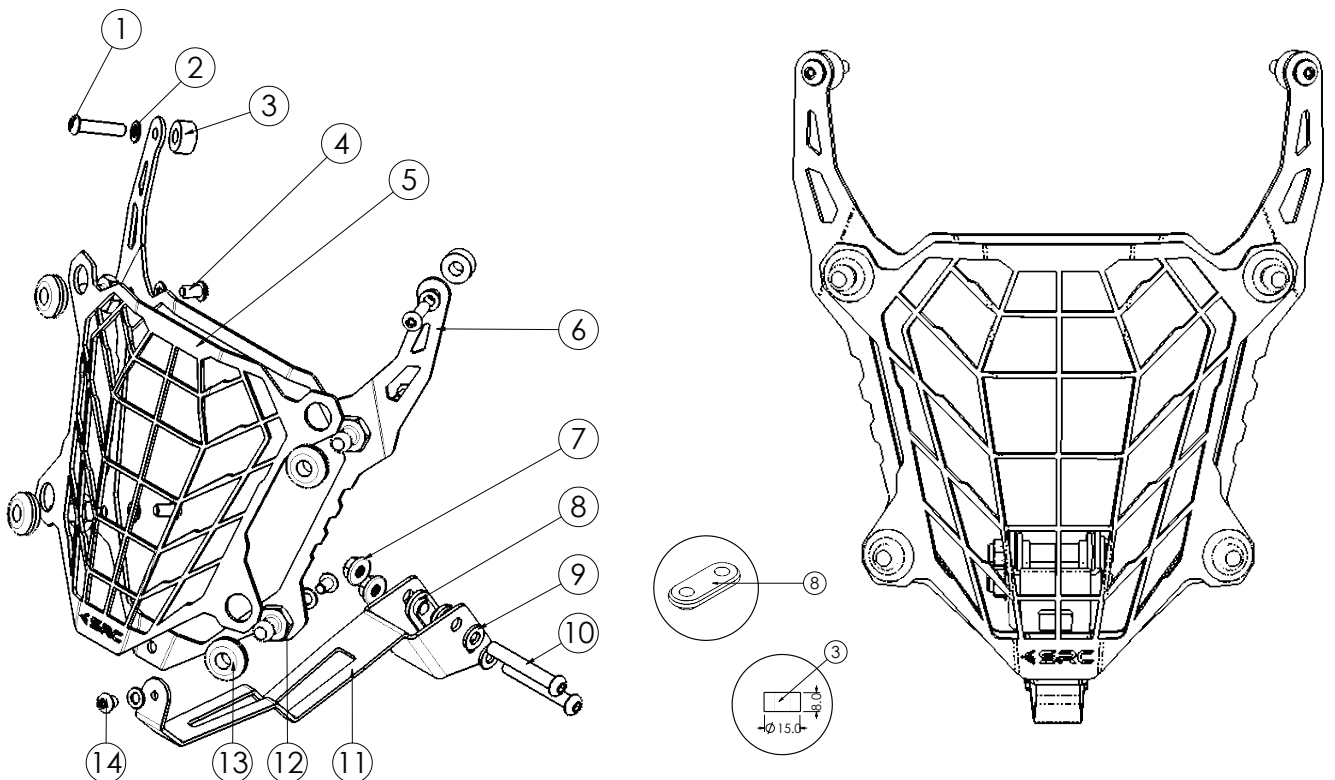
Installation / Parts List / Bill of Material for Mounting

| NO. | Description | Quantity | Torque*(N-M) | Remarks** |
|-----|-------------------------------------|----------|--------------|--------------------------|
| 1 | Socket button head screw M5x25mm | 2 | | Use Liquid Thread Locker |
| 2 | Washer M5 | 7 | | |
| 3 | Bush Delrin M6 15x8mm | 2 | | |
| 4 | Socket button head screw M5x10mm | 4 | | Use Liquid Thread Locker |
| 5 | Headlight Guard | 1 | | |
| 6 | AD Headlight Guard | 1 | | |
| 7 | Hex flange nut gradea M6 | 2 | | |
| 8 | Bush Delrin 2 Slot | 2 | | |
| 9 | Washer M6 | 2 | | |
| 10 | Socket Button Head Screw M6x45mm | 2 | | Use Liquid Thread Locker |
| 11 | Socket countersunk head screw M6x20 | 1 | | Use Liquid Thread Locker |
| 12 | Bush Rubber 5 mm | 4 | | |
| 13 | RUBBER GROMMET | 4 | | |
| 14 | Socket button head screw M5x6mm | 1 | | Use Liquid Thread Locker |

SRC Design uses Metric System of Measurement and all dimensions in Millimeters

Recommended to use the Torque specified in the table

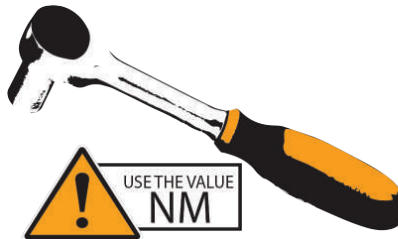
Denotes Usage of Liquid Thread Locker in specified Locations



Torque Values to be used in Mounting Instructions

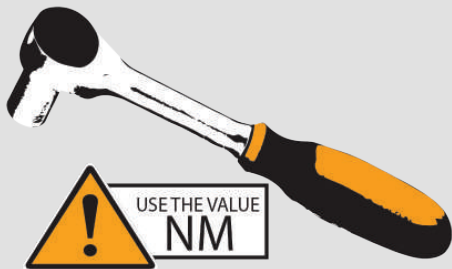


code

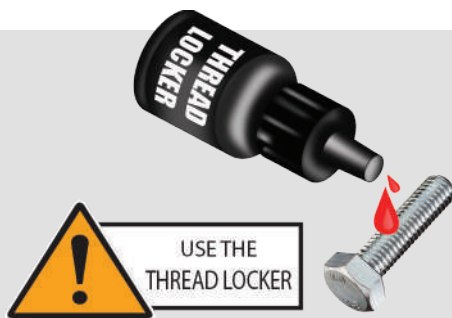


| | | M4 | | M5 | | M6 | | M8 | | M10 | | M12 | | M14 | | M16 | | M18 | |
|--------------|-------------|------|-------|------|-------|------|--------|------|--------|------|--------|------|--------|------|--------|------|--------|------|---------|
| | code | (cs) | (Fo) | (cs) | (Fo) | (cs) | (Fo) | (cs) | (Fo) | (cs) | (Fo) | (cs) | (Fo) | (cs) | (Fo) | (cs) | (Fo) | (cs) | (Fo) |
| Inox | A2 | 2.6 | — | 5.1 | — | 8.7 | — | 21.2 | — | 42 | — | 73 | — | 118 | — | 180 | — | 258 | — |
| steel | 8.8 | 3 | 3,594 | 5 | 5,886 | 10 | 8,302 | 23 | 15,242 | 46 | 24,275 | 79 | 35,401 | 127 | 48,618 | 198 | 66,955 | 283 | 83,746 |
| steel | 10.9 | 4 | 5,279 | 8.1 | 8,645 | 14 | 12,194 | 34 | 22,388 | 67 | 35,655 | 116 | 51,995 | 187 | 71,408 | 291 | 98,340 | 402 | 119,454 |

Tensile load (Fo)
The force in newtons (N) which maintains pressure contact between assembled components
Tightening torque (Cs) [values are in N-m]



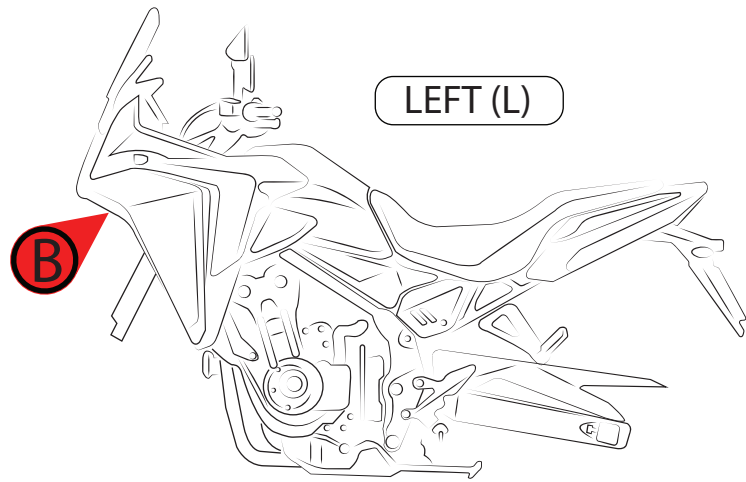
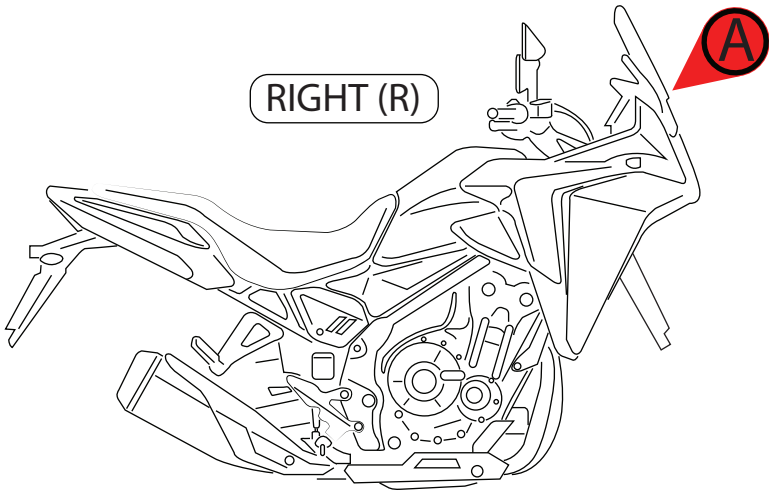
! symbol (NM), refer to the reference value given in the table above for use in the required operation And safe in operation and accuracy in inserting parts.



! The tool in the picture is (thread locked). When you see this mark, please insert the medicine to the point where the nut is to be inserted for the firmness and accuracy of the insertion work.

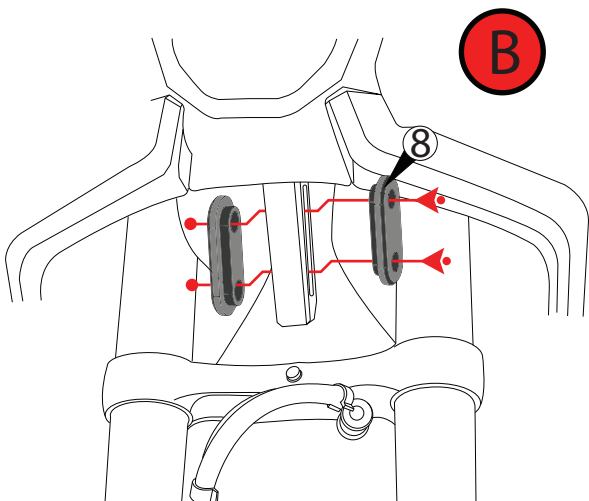
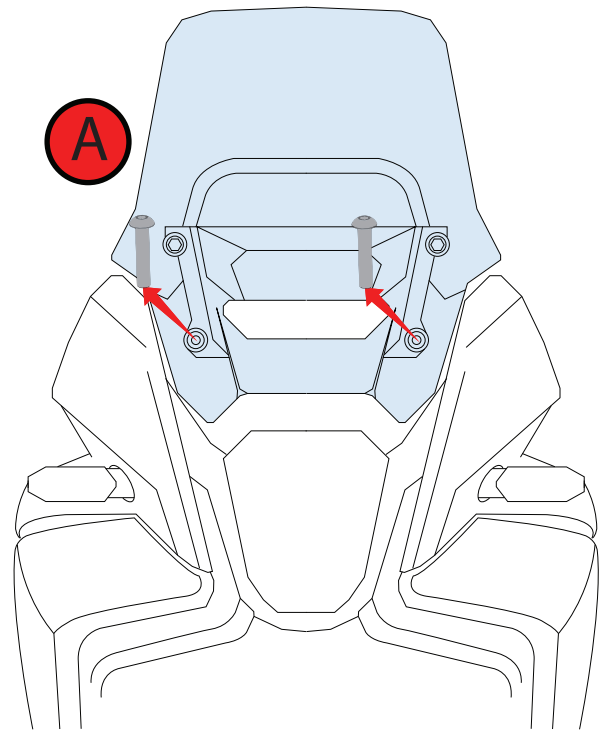
! Please check and check again to make sure that all are inserted. Every piece and don't forget any step to be safe.





1

Remove the screw
as illustrated

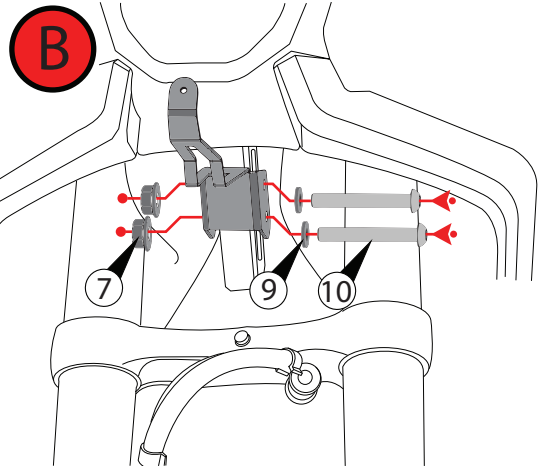


2

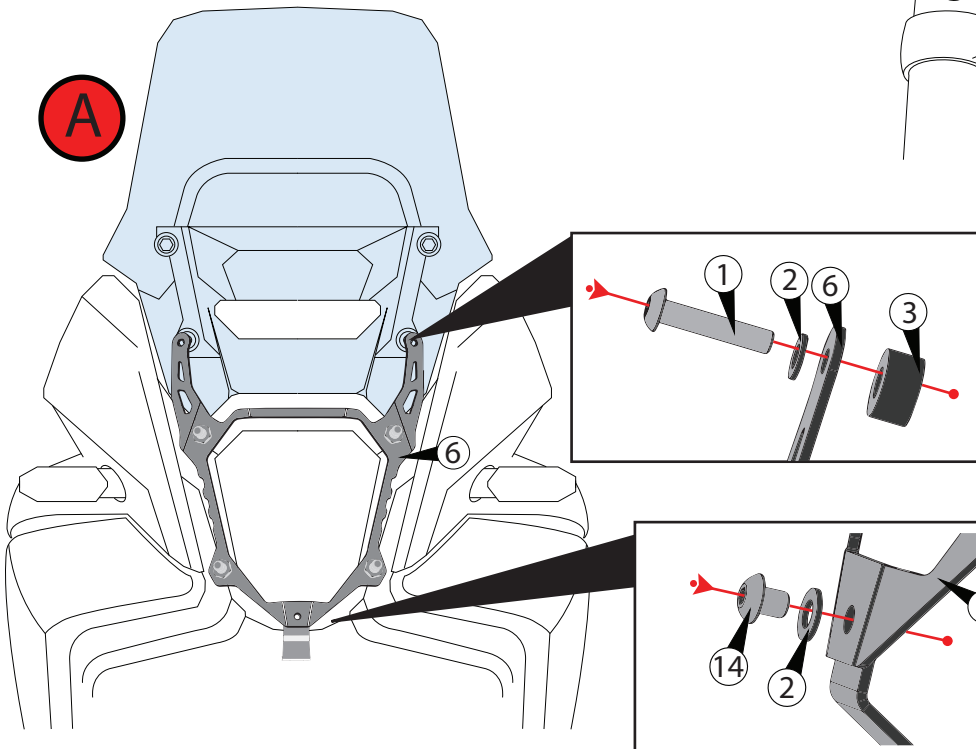
Insert Bush Delrin 2 Slot
as illustrated.

3

Prepare the parts and assemble according to the illustration

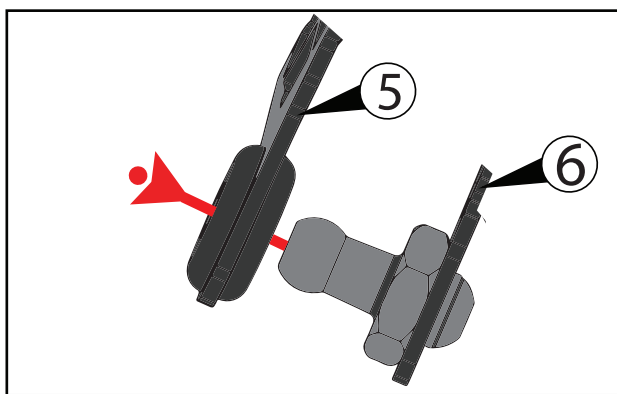


A



4

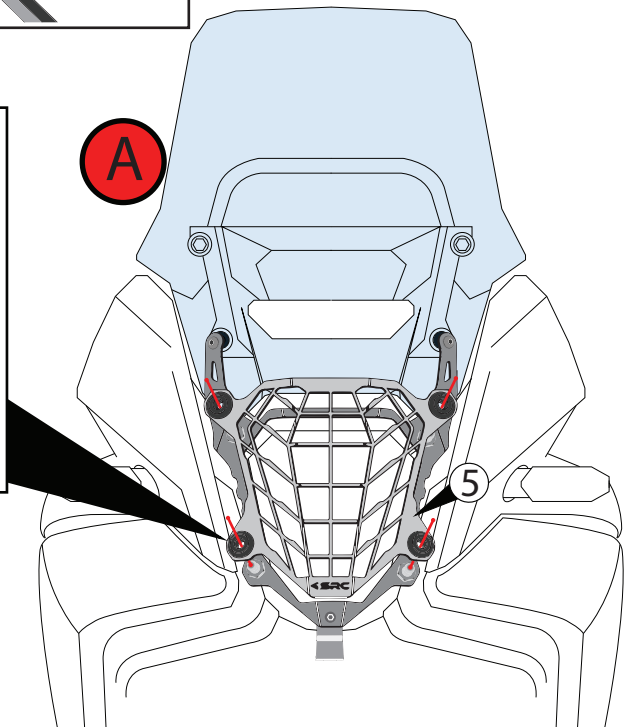
Prepare the parts and assemble according to the illustration



5

Insert Head Light Guard as illustrated.

A



Make sure they are inserted correctly.

- (1.) We request you to pay attention to the Mounting Instructions in this document and follow the step-by-step procedures.
- (2.) This Mounting Instruction manual is a “Do It Yourself” (DIY) fitment manual of the Accessory part to the Vehicle. We have prepared this based on our experience and knowledge, related to the Vehicle, Part and its functional aspects
- (3.) SRC cannot guarantee the interchangeability of the parts to any other manufacturer’s accessory part. It is advised to the User, to inspect and ensure the original state of all other Vehicle parts.
- (4.) We request you to bear in mind, that the Installed part can change the driving behaviour and/or the stability during driving or any other dynamic conditions.
- (5.) If you have the appropriate tools and another person to assist you in the mounting, it will help.
- (6.) After Completion of the Mounting and before taking on a First ride, Ensure and Check all functions of the Vehicle. It is always advised to check loosening of the fasteners after the first 50 kilo meters of ride and at regular intervals.
- (7.) To the maximum extent possible, our design use the current Mounting/Fitment of the Original Equipment, so that Installation of these accessories will not affect the Payload or Function of the Vehicle or the Part on which it is mounted to protect it.
- (8.) If any additional modifications are to be done, prior to the fitment of the accessories, it will be explicitly specified in the instruction sheets

