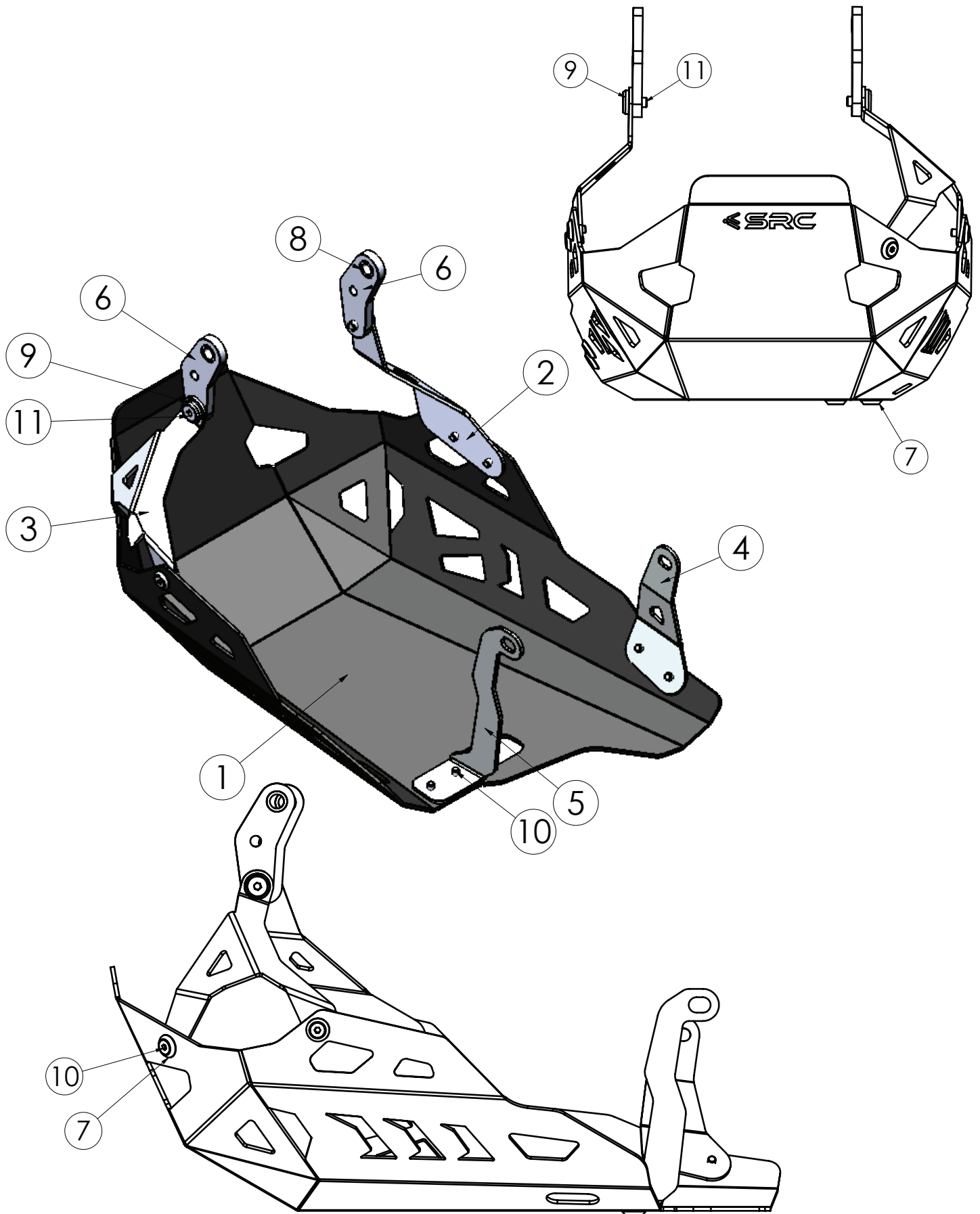


Part Number:

Part Description: ENGINE GUARD HONDA NX500 /CB500X NEW

Installation / Parts List / Bill of Material for Mounting

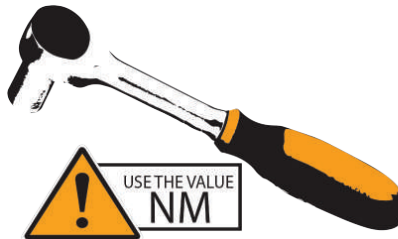
NO.	Description	Quantity	Torque*(N-M)	Remarks**
1	Skid plate	1		
2	Plate A	1		
3	Plate B	1		
4	Plate C	1		
5	Plate D	1		
6	Midle arm plate	2		
7	Taper Ring M6	8		
8	Teflon bush OD16xD11xL8	2		
9	Countersunk Washer M8	2		
10	Socket countersunk head screw M6x15	8		Use Liquid Thread Locker
11	Socket countersunk head screw M8x20	2		Use Liquid Thread Locker
SRC Design uses Metric System of Measurement and all dimensions in Millimeters				
Recommended to use the Torque specified in the table				
Denotes Usage of Liquid Thread Locker in specified Locations				



Torque Values to be used in Mounting Instructions

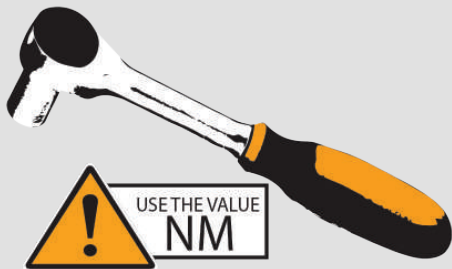


code



		M4		M5		M6		M8		M10		M12		M14		M16		M18	
	code	(cs)	(Fo)	(cs)	(Fo)	(cs)	(Fo)	(cs)	(Fo)	(cs)	(Fo)	(cs)	(Fo)	(cs)	(Fo)	(cs)	(Fo)	(cs)	(Fo)
Inox	A2	2.6	—	5.1	—	8.7	—	21.2	—	42	—	73	—	118	—	180	—	258	—
steel	8.8	3	3,594	5	5,886	10	8,302	23	15,242	46	24,275	79	35,401	127	48,618	198	66,955	283	83,746
steel	10.9	4	5,279	8.1	8,645	14	12,194	34	22,388	67	35,655	116	51,995	187	71,408	291	98,340	402	119,454

Tensile load (Fo)
The force in newtons (N) which maintains pressure contact between assembled components
Tightening torque (Cs) [values are in N-m]



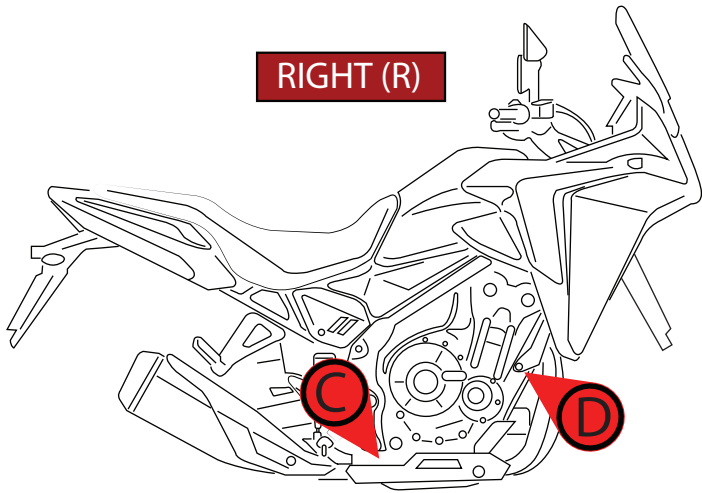
! symbol (NM), refer to the reference value given in the table above for use in the required operation And safe in operation and accuracy in inserting parts.



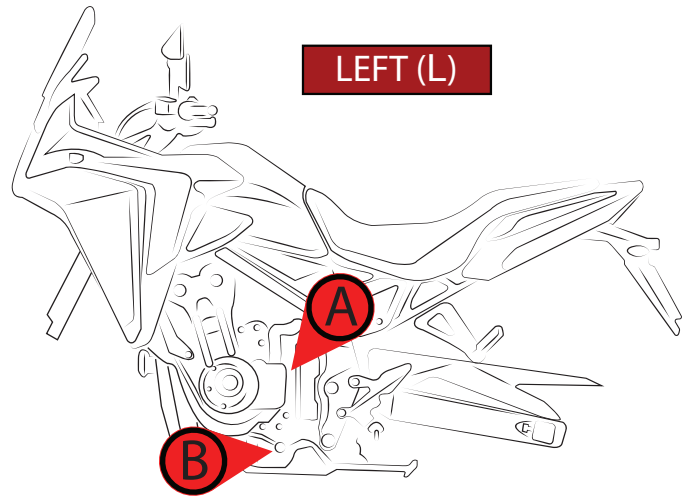
! The tool in the picture is (thread locked). When you see this mark, please insert the medicine to the point where the nut is to be inserted for the firmness and accuracy of the insertion work.

! Please check and check again to make sure that all are inserted. Every piece and don't forget any step to be safe.

RIGHT (R)

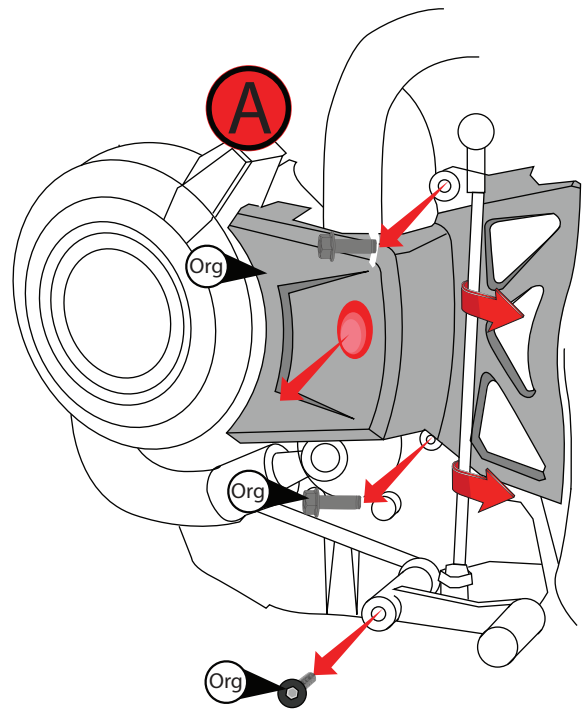


LEFT (L)



Step 1 LEFT

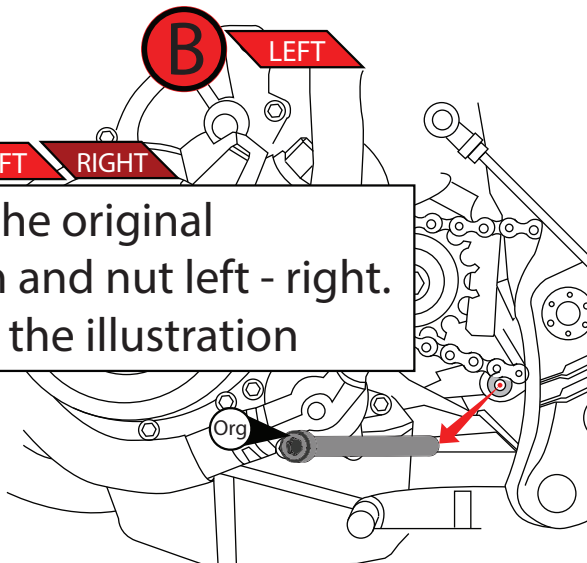
Remove both original nuts according to illustration



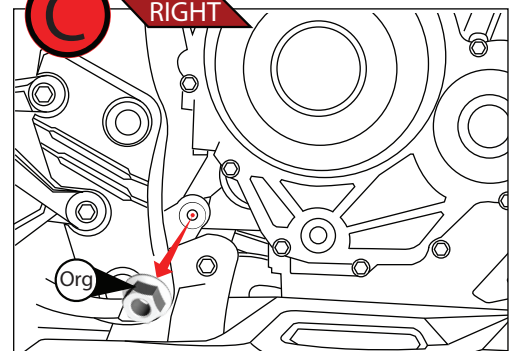
B LEFT

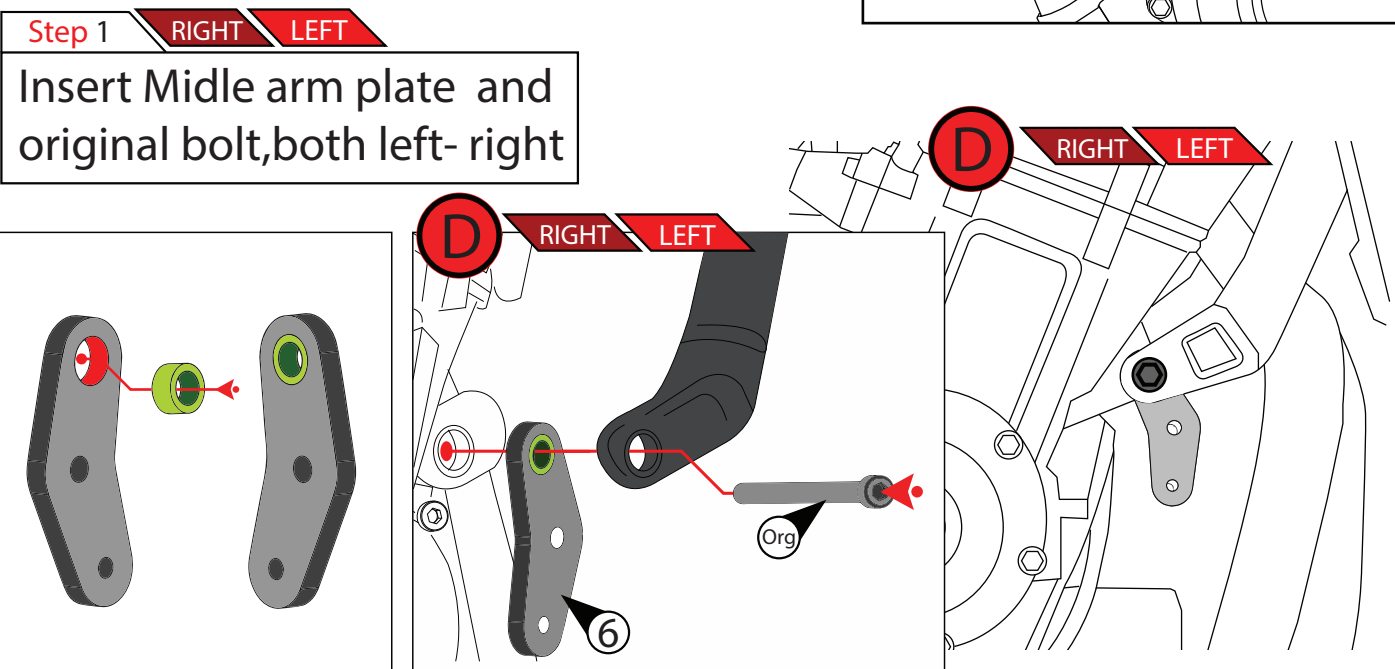
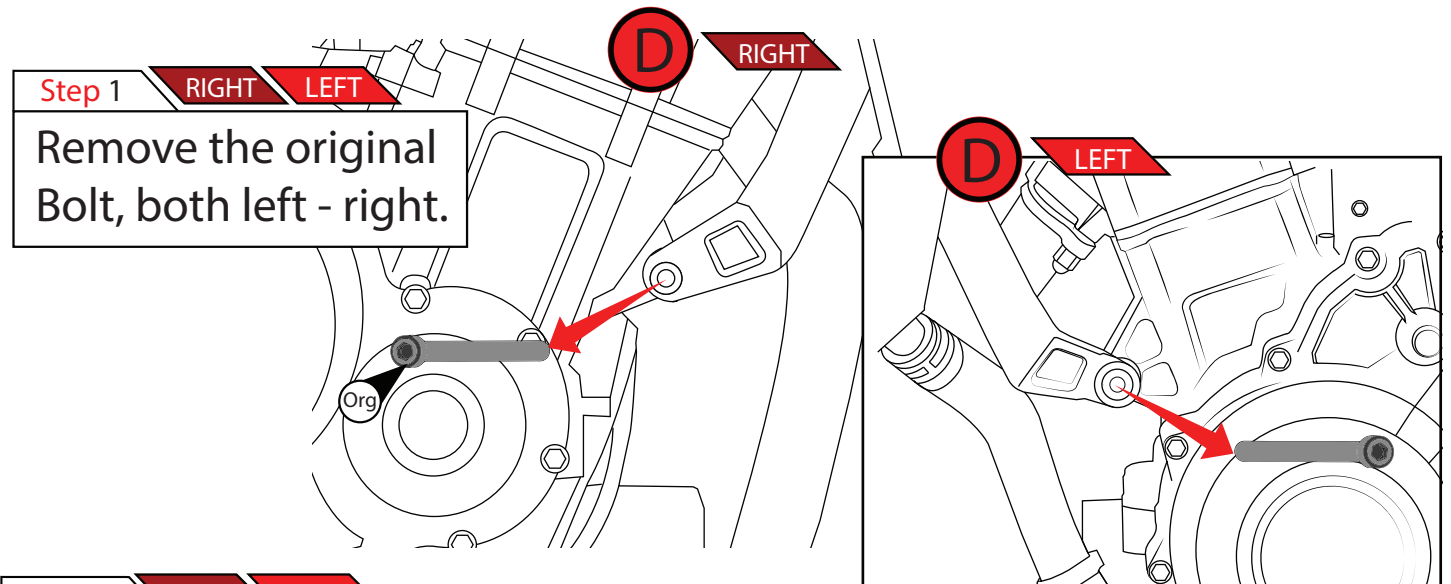
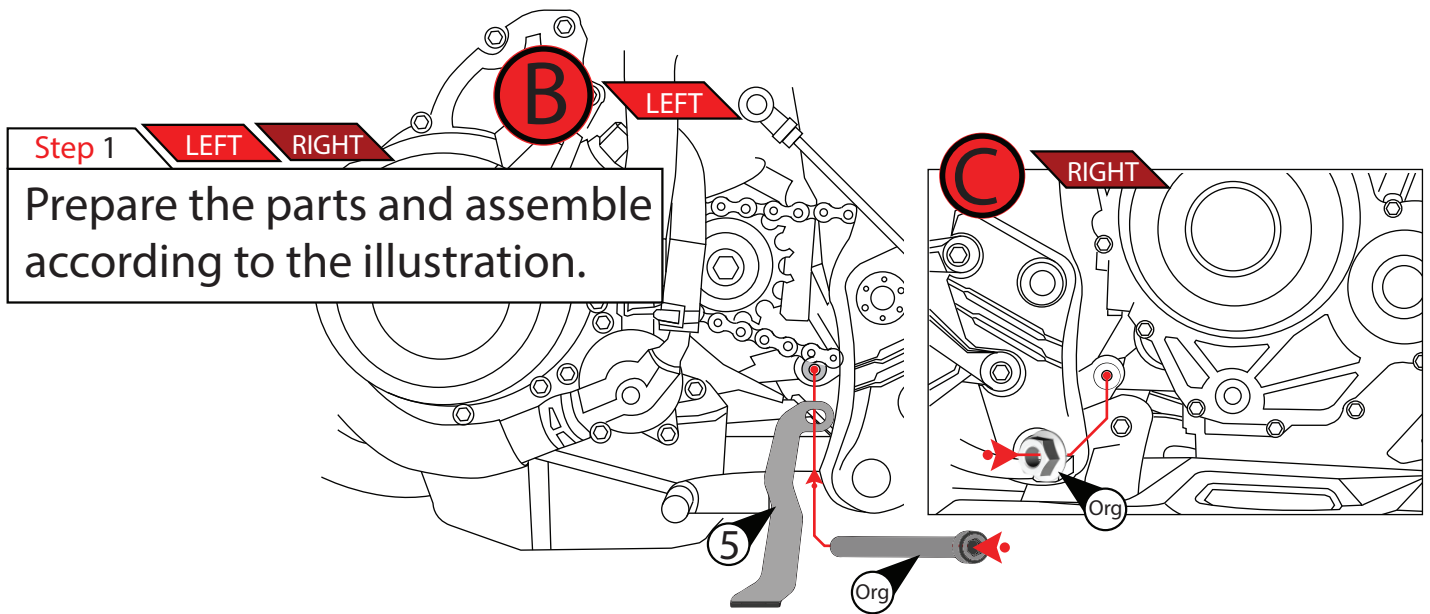
Step 1 LEFT RIGHT

Remove the original Bolt, both and nut left - right. Shown in the illustration



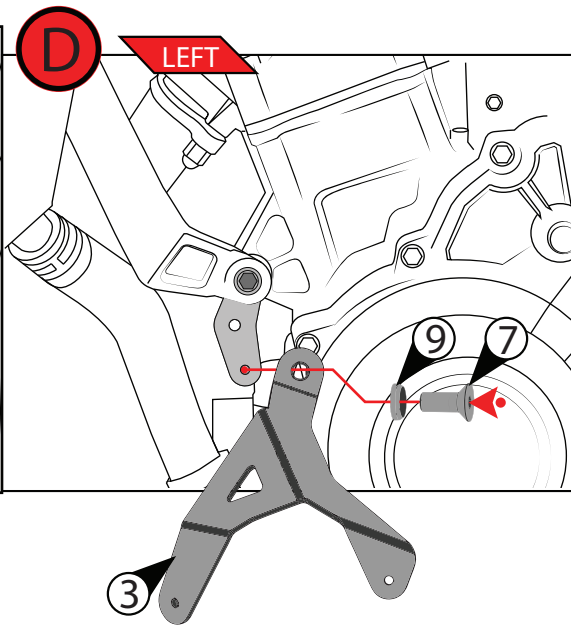
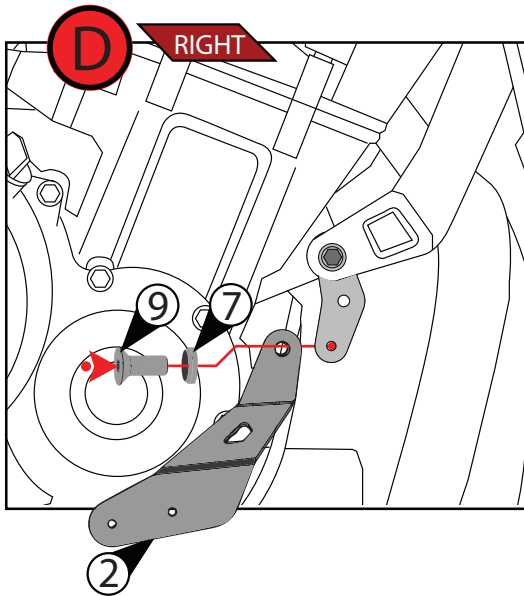
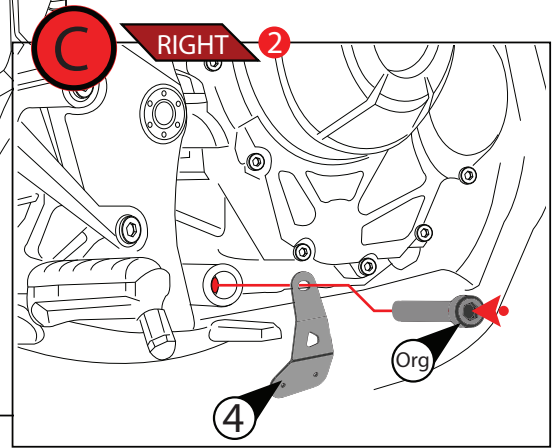
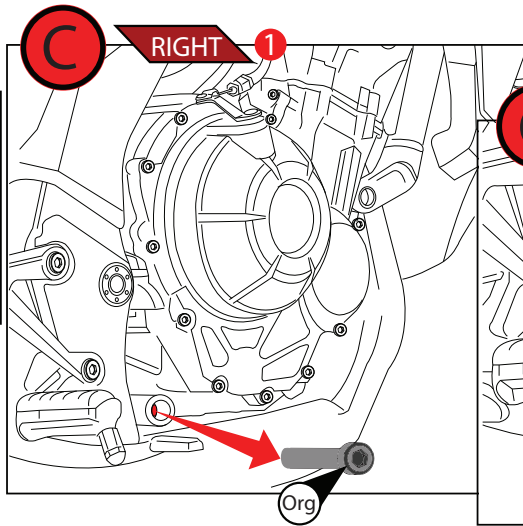
C RIGHT





Step 1 RIGHT

- ➊ Remove right screws, according to the illustration
- ➋ Insert Plate C and original bolt, according to the illustration

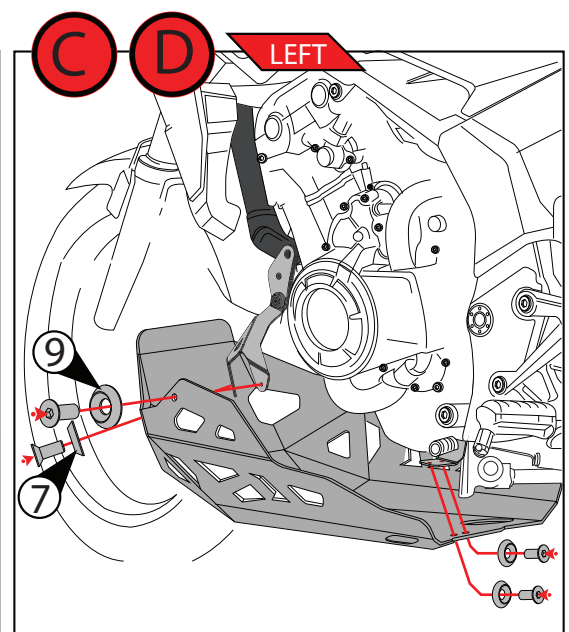
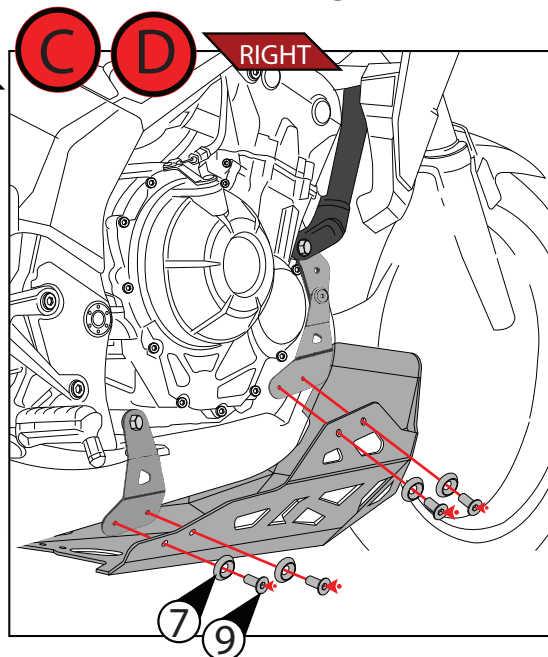


Step 1 RIGHT LEFT

Prepare the parts and assemble according to the illustration.

Step 1 RIGHT LEFT

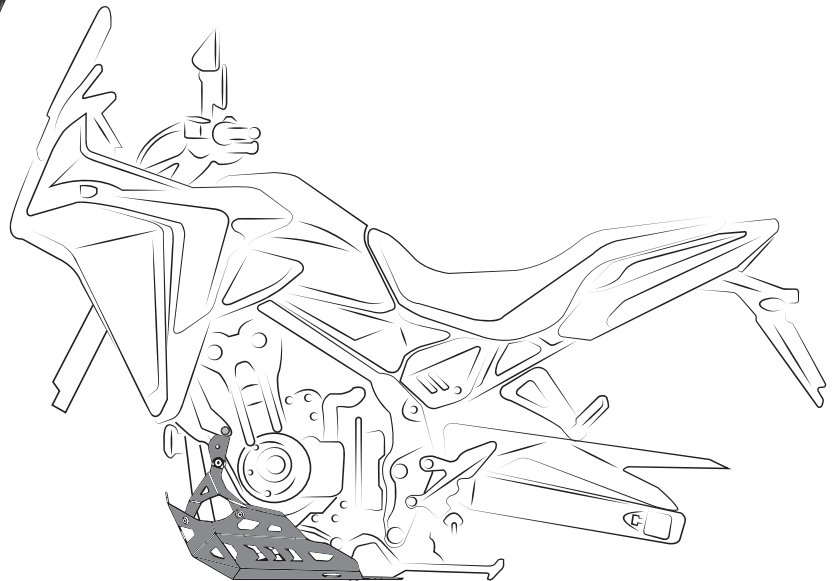
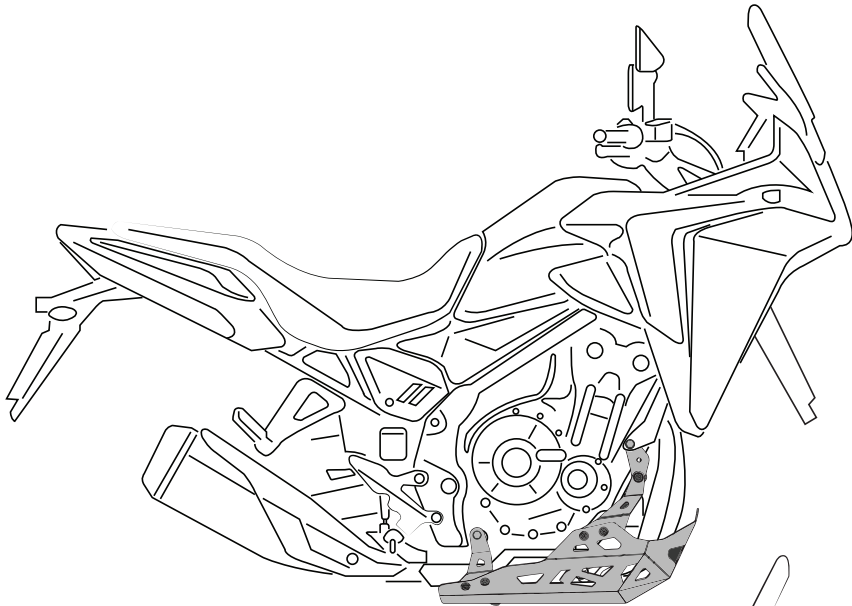
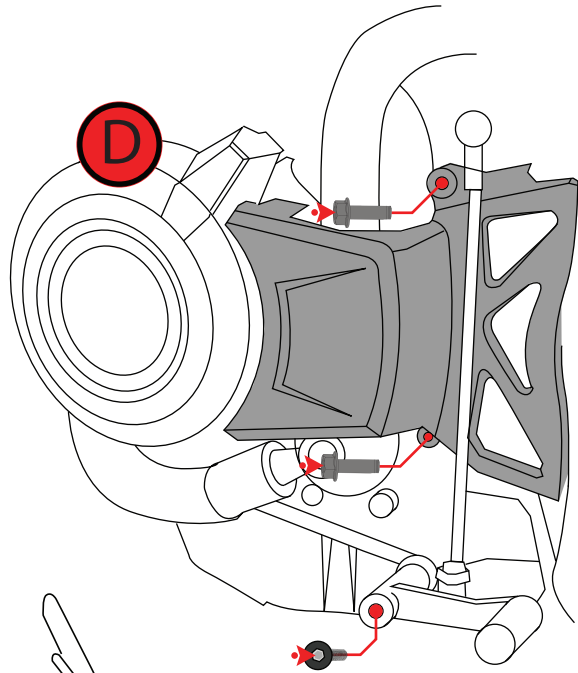
Prepare the parts and assemble according to the illustration.



Step 1

LEFT

install both original nuts according to illustration



Make sure they are inserted correctly.

- (1.) We request you to pay attention to the Mounting Instructions in this document and follow the step-by-step procedures.
- (2.) This Mounting Instruction manual is a “Do It Yourself” (DIY) fitment manual of the Accessory part to the Vehicle. We have prepared this based on our experience and knowledge, related to the Vehicle, Part and its functional aspects
- (3.) SRC cannot guarantee the interchangeability of the parts to any other manufacturer’s accessory part. It is advised to the User, to inspect and ensure the original state of all other Vehicle parts.
- (4.) We request you to bear in mind, that the Installed part can change the driving behaviour and/or the stability during driving or any other dynamic conditions.
- (5.) If you have the appropriate tools and another person to assist you in the mounting, it will help.
- (6.) After Completion of the Mounting and before taking on a First ride, Ensure and Check all functions of the Vehicle. It is always advised to check loosening of the fasteners after the first 50 kilo meters of ride and at regular intervals.
- (7.) To the maximum extent possible, our design use the current Mounting/Fitment of the Original Equipment, so that Installation of these accessories will not affect the Payload or Function of the Vehicle or the Part on which it is mounted to protect it.
- (8.) If any additional modifications are to be done, prior to the fitment of the accessories, it will be explicitly specified in the instruction sheets

