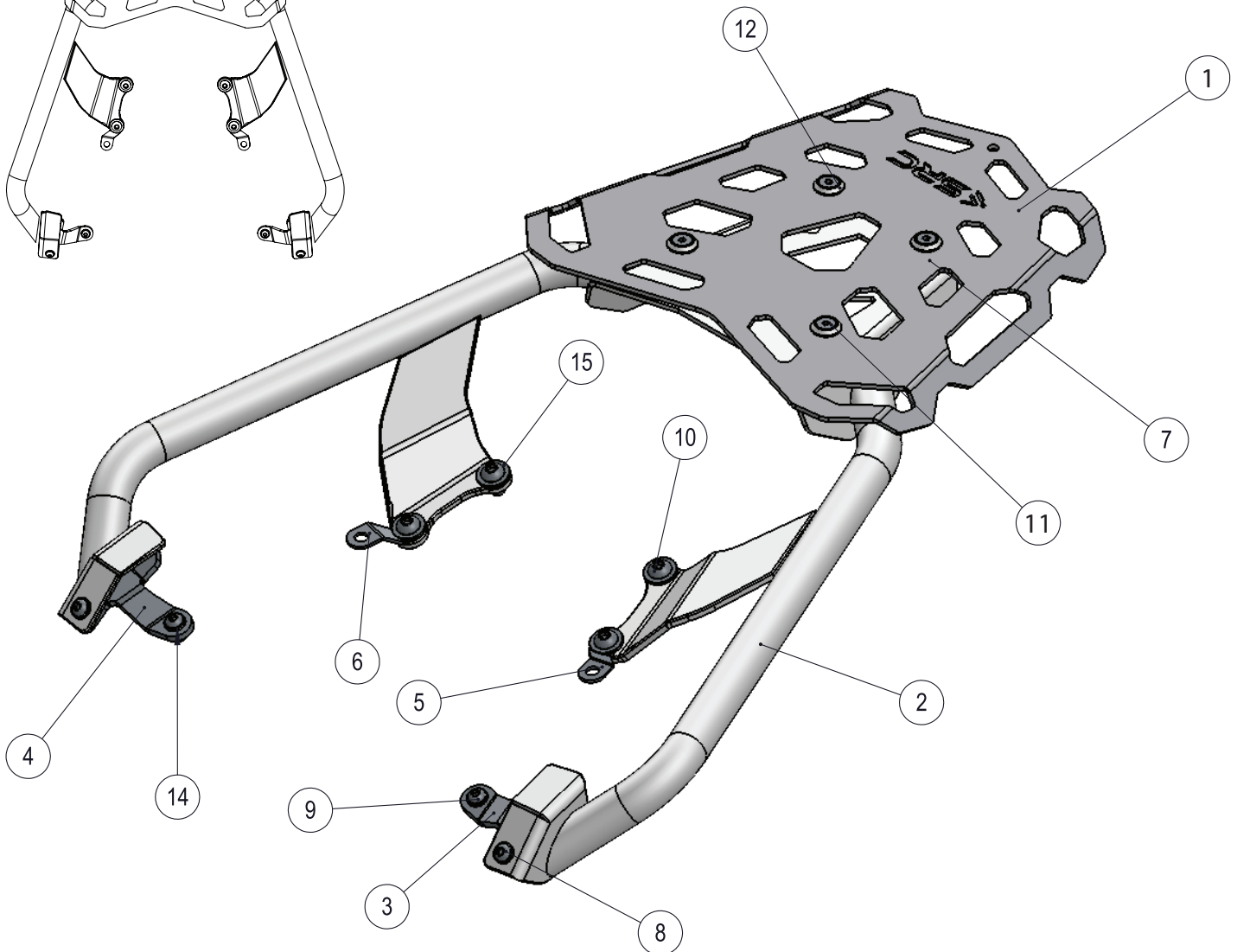
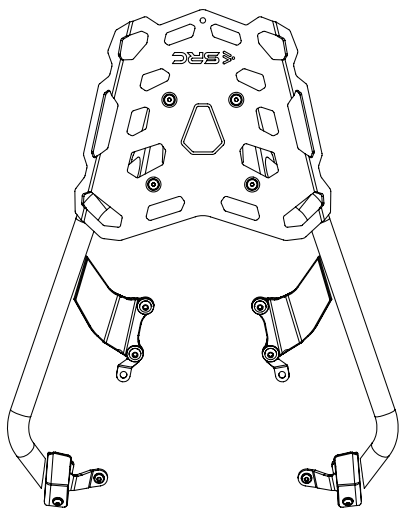
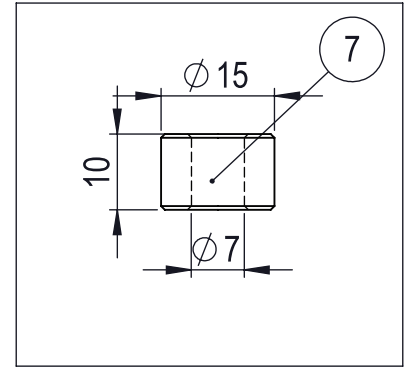
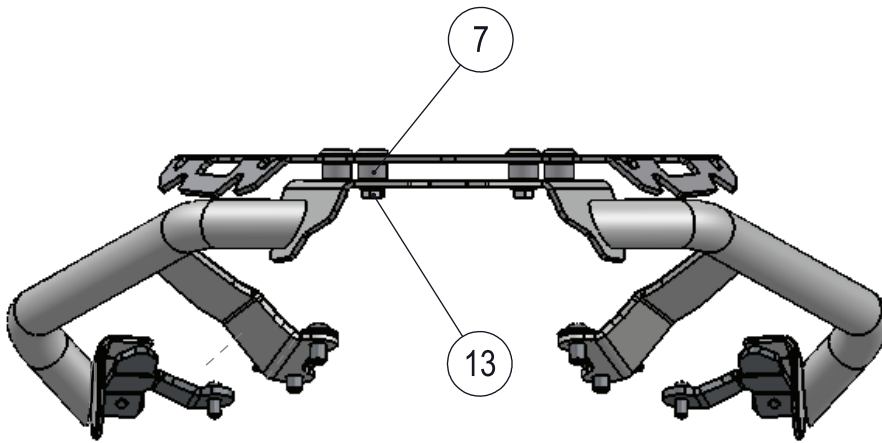


Part Number:

Part Description: TOP RACK HONDA NX500

Installation / Parts List / Bill of Material for Mounting

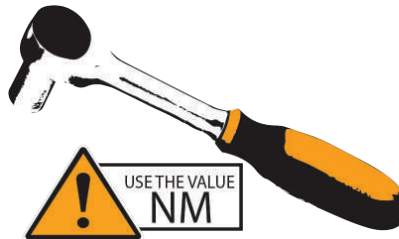
NO.	Description	Quantity	Torque*(N-M)	Remarks**
1	Top Rack SRC 2021-01	1		
2	Top Rack CB500 X-Pipe	1		
3	Upper plate -LH	1		
4	Upper plate -RH	1		
5	Upper plate-1-LH	1		
6	Upper plate-1-RH	1		
7	Bush OD15xD7xL10	4		
8	Socket button head screw M6x10	2		Use Liquid Thread Locker
9	Socket button head screw M6x15	2		Use Liquid Thread Locker
10	Socket button head screw M8x16	4		Use Liquid Thread Locker
11	Socket countersunk head screw M6x25	4		Use Liquid Thread Locker
12	Countersunk Washer M6	4		
13	Hex flange nut gradea M6	4		
14	Washer M6	4		
15	Washer M8	4		
SRC Design uses Metric System of Measurement and all dimensions in Millimeters				
Recommended to use the Torque specified in the table				
Denotes Usage of Liquid Thread Locker in specified Locations				



## Torque Values to be used in Mounting Instructions

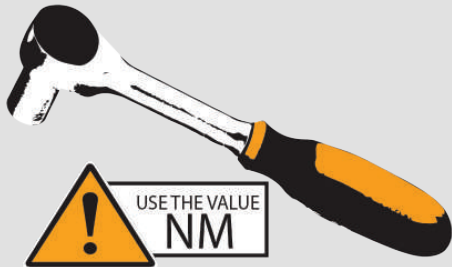


code



		M4		M5		M6		M8		M10		M12		M14		M16		M18	
	code	(cs)	(Fo)	(cs)	(Fo)	(cs)	(Fo)	(cs)	(Fo)	(cs)	(Fo)	(cs)	(Fo)	(cs)	(Fo)	(cs)	(Fo)	(cs)	(Fo)
<b>Inox</b>	<b>A2</b>	2.6	—	5.1	—	8.7	—	21.2	—	42	—	73	—	118	—	180	—	258	—
<b>steel</b>	<b>8.8</b>	3	3,594	5	5,886	10	8,302	23	15,242	46	24,275	79	35,401	127	48,618	198	66,955	283	83,746
<b>steel</b>	<b>10.9</b>	4	5,279	8.1	8,645	14	12,194	34	22,388	67	35,655	116	51,995	187	71,408	291	98,340	402	119,454

**Tensile load (Fo)**  
**The force in newtons (N)** which maintains pressure contact between assembled components  
**Tightening torque (Cs)** [values are in N-m]

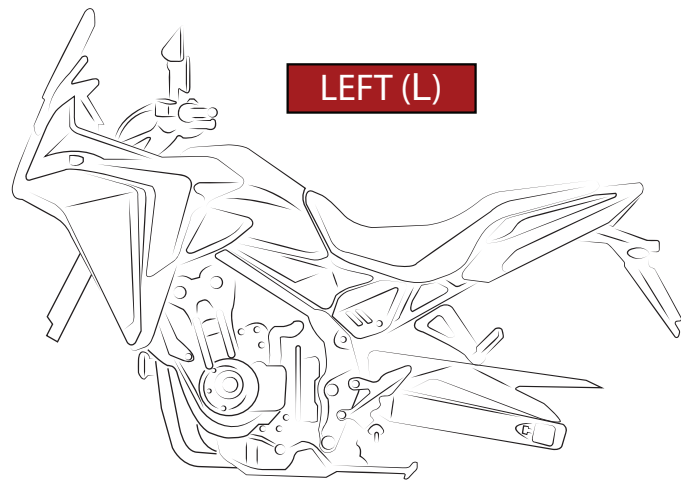
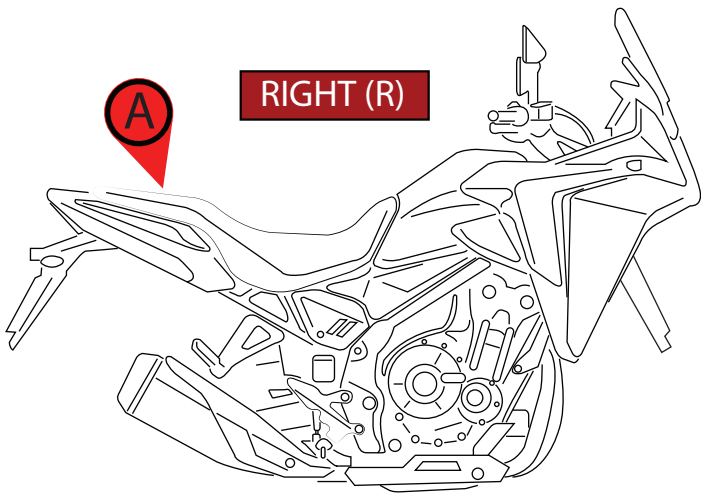


! symbol (NM), refer to the reference value given in the table above for use in the required operation And safe in operation and accuracy in inserting parts.



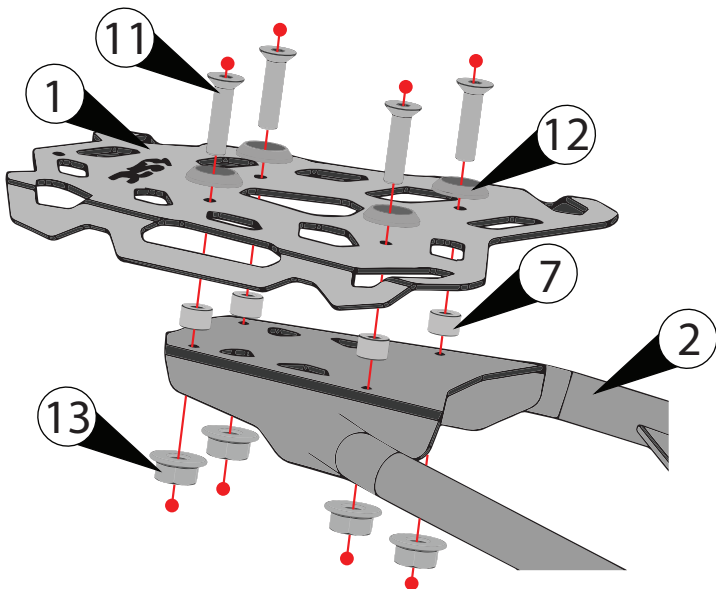
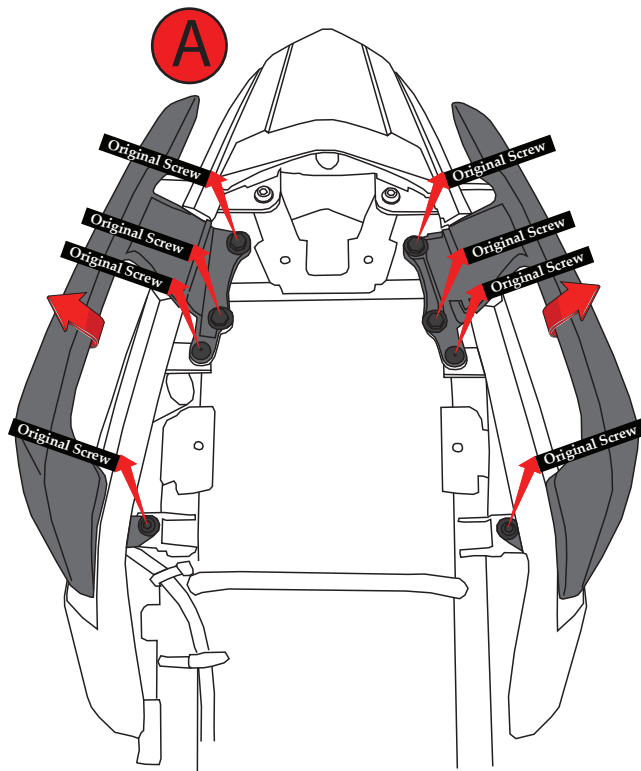
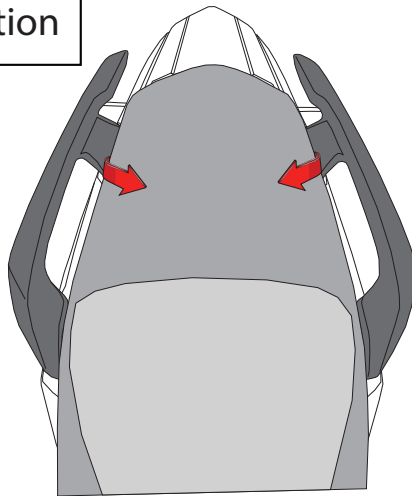
! The tool in the picture is (thread locked). When you see this mark, please insert the medicine to the point where the nut is to be inserted for the firmness and accuracy of the insertion work.

! Please check and check again to make sure that all are inserted. Every piece and don't forget any step to be safe.



**Step 1**    **RIGHT**    **LEFT**

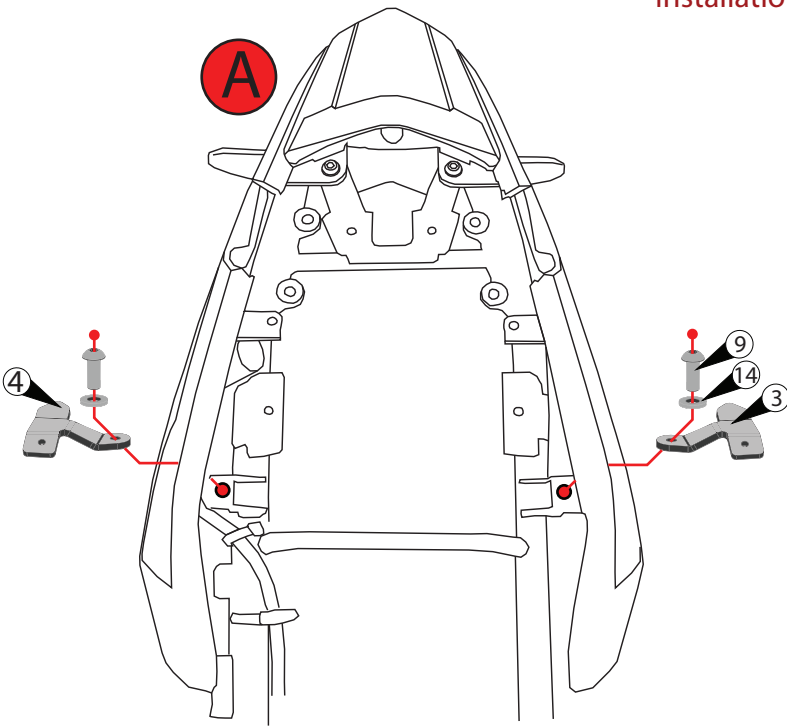
Remove seat cushion according to the illustration  
Remove original screw according to the illustration



**Step 2**

Prepare the parts and assemble according to the illustration

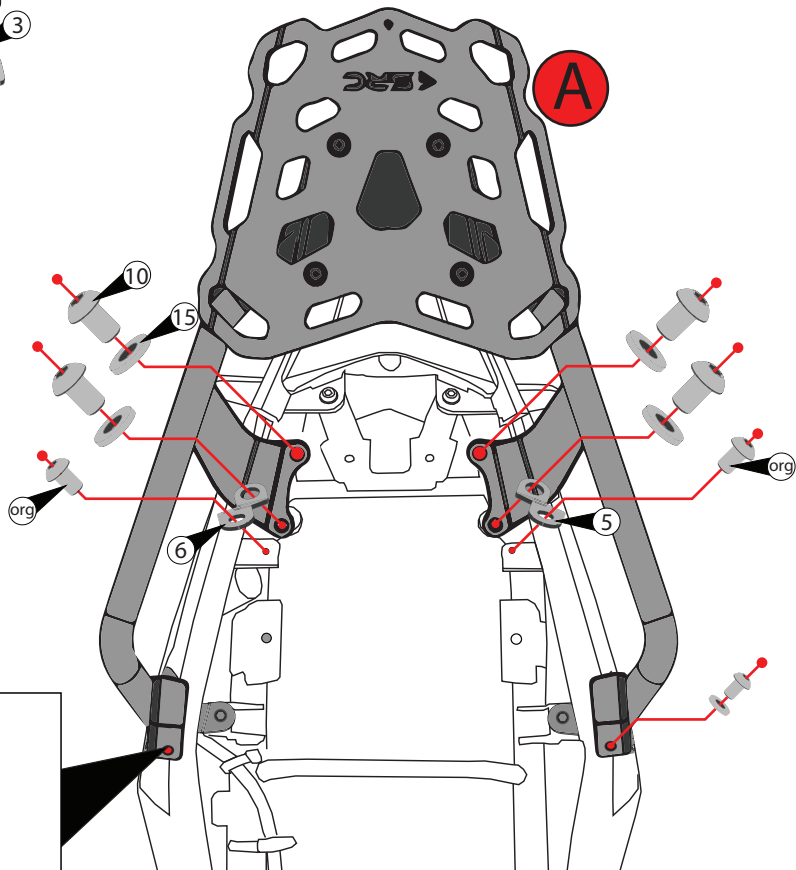
**A**



**Step 3** RIGHT LEFT

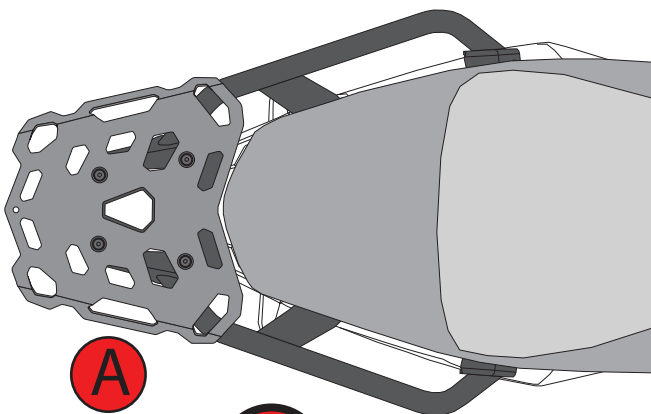
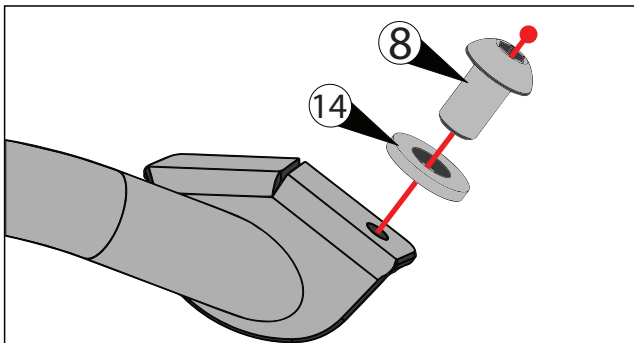
Prepare the parts and assemble according to the illustration

**A**



**Step 4** RIGHT LEFT

Prepare the parts and assemble according to the illustration.



**Step 5**

Insert seat cushion according to the illustration



Make sure they are inserted correctly.

- (1.) We request you to pay attention to the Mounting Instructions in this document and follow the step-by-step procedures.
- (2.) This Mounting Instruction manual is a “Do It Yourself” (DIY) fitment manual of the Accessory part to the Vehicle. We have prepared this based on our experience and knowledge, related to the Vehicle, Part and its functional aspects
- (3.) SRC cannot guarantee the interchangeability of the parts to any other manufacturer’s accessory part. It is advised to the User, to inspect and ensure the original state of all other Vehicle parts.
- (4.) We request you to bear in mind, that the Installed part can change the driving behaviour and/or the stability during driving or any other dynamic conditions.
- (5.) If you have the appropriate tools and another person to assist you in the mounting, it will help.
- (6.) After Completion of the Mounting and before taking on a First ride, Ensure and Check all functions of the Vehicle. It is always advised to check loosening of the fasteners after the first 50 kilo meters of ride and at regular intervals.
- (7.) To the maximum extent possible, our design use the current Mounting/Fitment of the Original Equipment, so that Installation of these accessories will not affect the Payload or Function of the Vehicle or the Part on which it is mounted to protect it.
- (8.) If any additional modifications are to be done, prior to the fitment of the accessories, it will be explicitly specified in the instruction sheets

